

Play Installation Video at www.klevaklip.com.au/PDKit-Install-Info

Installation Steps for PDKIT Patio Deck Kit

Note: Each Patio Deck Kit contains 9x Aluminium Joists @ 1,000mm (39.6 inches) long, 9x End Caps & 36x Nylon Base Clips

The Patio Deck Kit is a simple but effective method of enabling a deck to be laid over a patio area with a stepdown from your patio door as low as 60 mm (2.5 inches) – whilst still keeping your joists off the concrete and maintaining the ability for water to flow under the joists.

Actual top-of-joist height = 35mm (1.4 inches)

With the joists being made from aluminium and the support clips from a nylon compound, the Patio Deck Kit will not rot or rust, is UV stable, and can be used in any environment. It will last the life of your deck.

Important Note

- Cyclone or Tornado areas – in these areas, as a minimum you need to secure every second base clip to your concrete with an 8 mm (5/16 inch) masonry bolt, plus all aluminum joists should be secured to the base clips via an 8 g self-drilling tek screw on each side of the joist.

ADHESIVES GUIDE

Approved Adhesives	Coverage
Soudal T-Rex Power Flexi SMX adhesive Soudal T-Rex Fast Grab SMX adhesive	Aust / NZ: approx. 3.6 sq metres with joists @ 450mm centres USA: approx. 35 sq feet with joists @ 16 inch centres

Step 1 – Check for Level Surface

A good way to do this is to pour a bucket of water over the deck and see whether any puddles develop. For small (under 3mm or 1/8 inch deep) or negligible puddles – proceed to Step 3.

If concrete requires levelling proceed to Step 2.

Step 2 – Apply Concrete Leveller

Mix a batch of “concrete leveller” with water and pour over areas with depressions, allowing concrete to level out. Allow 24 hours for concrete to cure adequately.

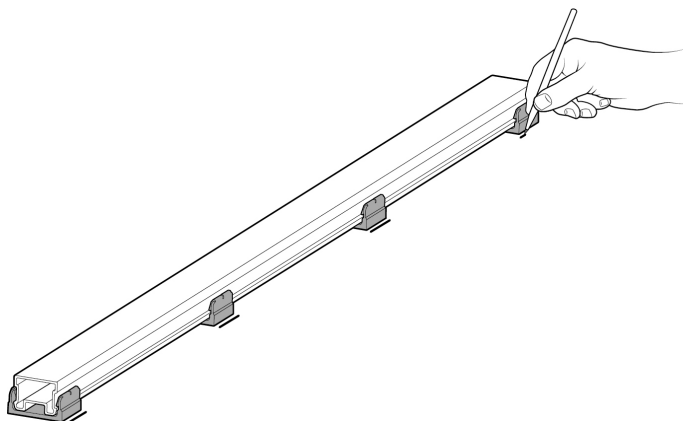
Tip – on relatively small areas it may be easier to just pour the concrete leveller over the whole area rather than being specific to the areas with “puddles”.

Step 3 – Etch the Concrete

Etch the areas on the concrete where you intend adhering the nylon base clips with a concrete etcher.

Step 5 – Mark Spots for Adhesive

Mark down both sides of the nylon base clips with a pencil line.

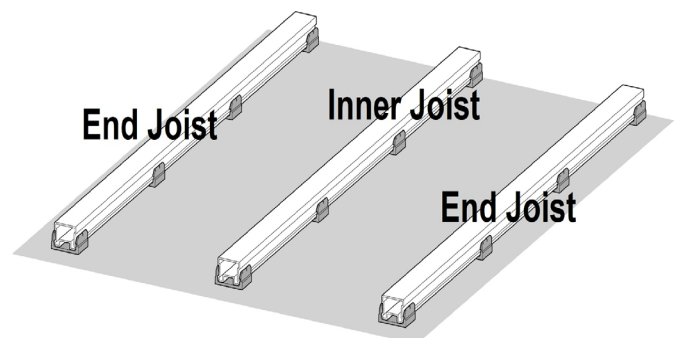


Step 4 – Set Out Joists

Clip base clips to aluminum joists at approx. 330 mm (13 inches) between centres and set out joists on the area. Max distance between joists is 450 mm (Australia) or 16 inches (USA).

Lay out joists on concrete as they should appear in final set-out.

For details regarding joining of the joists please refer to Step 7.



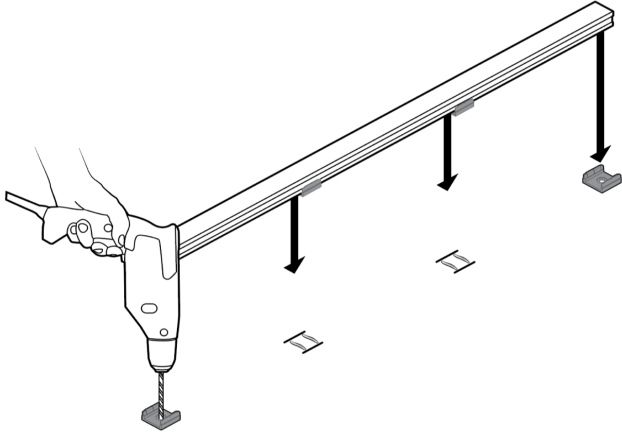
Step 6A – Fixing Base Clips to End Joists using 8mm Masonry Anchors

Provided you don't have a membrane to contend with, for all end joists or end of section joists (eg where breaker boards are used), it's good practise to secure the base clips with 8 mm masonry anchors at both joist ends. For the remaining Base Clips between both joist ends, these can be fixed to the concrete using approved adhesives.

The fixing hole on the base clip will be covered by the joist - simply mark the position of the Base clip on the concrete then slide off the Base clips from both joist ends.

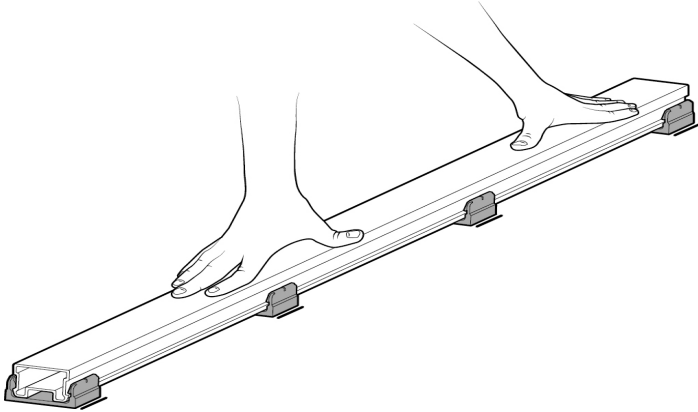
Line up a "Base Clip" to the marked lines on the concrete and use it as a guide when drilling the 8mm hole. Fit 8 mm masonry anchor at both end bases and re-assemble top piece to its correct position.

Apply adhesive for both middle base clips then simply press the joist into both nylon base clips then check with a spirit level.



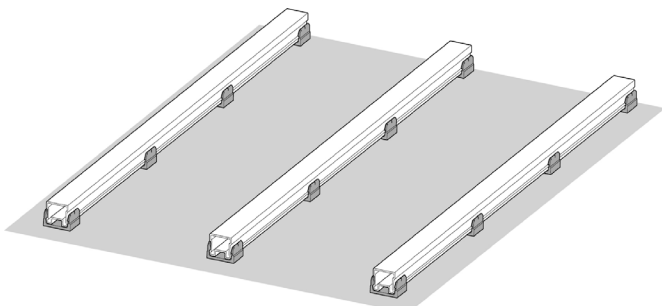
Step 6C – Fixing Inner Joists

Place joist, with base clips attached, back onto adhesive – push down with medium force then check with spirit level and allow to set.



Step 8 – Fixing the remainder of the Joists

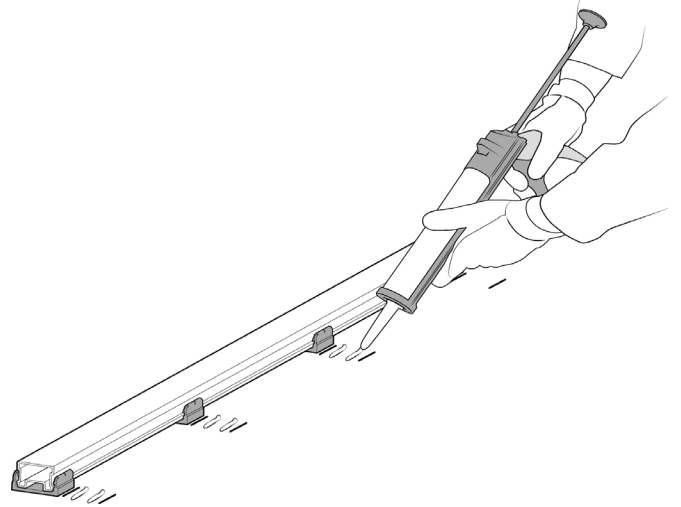
Repeat Steps 5 – 7 for each other row of joists until deck structure is complete. Double-check that all joists are level before the adhesive has cured.



Step 6B – Fixing Base Clips to Inner Joists using Adhesive

Move the joist slightly to one side now pencil lines have been marked.

Working a single joist row at a time, apply two small beads of adhesive approximately 6mm to 8mm in height and 30mm to 40mm wide to marked spots. Use only approved adhesives



Step 7 – Joining of the Joists

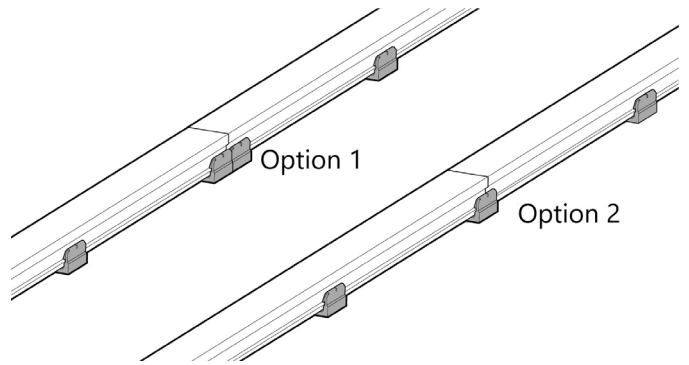
Important:

To allow for maximum thermal expansion of joist, please provide a 1mm gap between joists at ends.

There are two options for joining the joists together:

Option 1: Using two Nylon base clips next to each other.

Option 2: Using a single base clip, making sure join lines up with the notch in the Nylon base clip.



Step 9 – Allow Adhesive to Cure

Allow 48 hours for cure – your Patio Deck structure is now ready for you to lay your decking boards.

Step 10 – Fit End Caps

Gently tap with a hammer or mallet to fit the end caps into the aluminium joists

